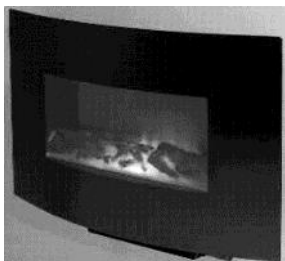


Imperial Electric Fires

GB
IE



MODELS:

Flamescape III & Curvascape III manual / remote Installation and User Instructions

PLEASE READ THESE INSTRUCTIONS CAREFULLY AND RETAIN FOR FUTURE REFERENCE

This electric fire has been made with great care. Here are some instructions including cleaning and maintenance, which will help you keep your fire in good condition for many years. If you experience any parts or service problems contact your retailer.

This appliance is not intended for use by persons (including children) with reduced physical, sensory or mental capabilities, or lack of experience and knowledge, unless they have been given supervision or instruction concerning use of the appliance by a person responsible for their safety. Children should be supervised to ensure that they do not play with the appliance.'

This is an amendment to the standard and now applies to all EN60335 or later approved products.

WARNING

**TURN OFF APPLIANCE AT MAINS AND UNPLUG FROM SOCKET OR REMOVE FUSE
FROM SWITCHED ISOLATOR BEFORE REPLACING LAMPS.**

LAMPS MAY BE HOT - ALLOW TO COOL BEFORE REMOVING LAMP GUARD.

Created and Manufactured in the UK By

Imperial Fires Ltd

Saxon Business Park, Stoke Prior, Bromsgrove, Worcestershire B60 4AD UK

Telephone: +44(0)1527 577800

Web: imperial-fires.co.uk

Email: sales@widney-leisure.co.uk

YOUR FIRE

The Curvascape III and Flamescape III ranges are available with real flame effect or light effect with incandescent lamps. They are available in several different fascia trims and optional remote control.

Diagrams shown in these instructions represent the Curvascape III manual variant unless stated. All general fitting instructions refer to all models.

UNPACKING, ELECTRICAL INSTALLATION AND GENERAL SAFETY

General

Unpack the fire carefully and retain the packaging for possible future use, in the event of moving or returning the fire to your supplier. Remove any plastic protection film and transit tape. The fire incorporates a flame effect, which can be used with or without heating, so that the comforting effect may be enjoyed at any time of the year. Using the flame effect on its own only requires minimal electricity.

Before connecting the heater check that the supply voltage is the same as that stated on the heater.

Please note: Used in an environment where background noise is very low, it may be possible to hear a sound which is related to the operation of the flame effect. This is normal and should not be a cause for concern.

THIS APPLIANCE MUST BE EARTHED

Check that the voltage stamped on the rating label of your fire is the same as your house electricity supply which must be AC (alternating current).

The mains cord of the fire has a UK type plug fitted with a 13amp fuse. When replacing a fuse, use a 13amp fuse approved to BS 1362. The fuse cover of a moulded on plug must be refitted when changing the fuse. Should the fuse cover become lost, the plug must not be used until the correct replacement fuse cover is obtained from your service agent.

The wires in the mains supply cord are coloured in accordance with the following code: Green and Yellow = Earth, Blue = Neutral, Brown = Live.

If your fire is fitted with a moulded on mains plug which is not suitable for the socket outlets in your home, the plug must be cut off and an appropriate one fitted.

Note: A plug cut off from a flexible cord will give a shock hazard if inserted in a 13 amp socket elsewhere in the house. To avoid this it should be disposed of immediately.

If you are fitting an alternative type of plug then the colours of the wires in the mains cord may not correspond with the identifying markings on the plug terminals. In this case proceed as follows:

The wire which is coloured Green/Yellow must be connected to the terminal in the plug which is marked by the letter E or by the earth symbol or coloured Green or Green/Yellow. The wire which is coloured Blue must be connected to the terminal in the plug which is marked by the letter N or coloured Black. The wire which is coloured Brown must be connected to the terminal in the plug which is marked by the letter L or coloured Red.

- **Always install the fire so that the plug is accessible.**
- Do not cover or hang clothes, towels etc. over or near the heater as this could cause overheating and possible damage. The heater should not be used immediately below a socket outlet.

- Do not use in the immediate surroundings of a bath, shower or near any source of water.
- Ensure that sufficient cable length is fitted to enable the mains plug to be removed from the appliance without stretching.
- Do not use this heater with an external programme controller, thermal control, timer or any other device which switches the heater on automatically as a fire risk may occur if the heater has been accidentally covered or moved.

HARD WIRING THE FIRE

IF DESIRED THE FIRE CAN BE HARD WIRED TO A SWITCHED FUSED ISOLATOR.

IF A SWITCH FUSED ISOLATOR IS USED ENSURE THAT THE FUSE IN THE ISOLATOR IS FITTED WITH A FUSE RATED AT 13AMP TO BS1362. It is recommended that this work be undertaken by a competent engineer

Note: If the fire is hard wired ensure that the mains lead can be unplugged from the appliance to assist removal.

SECTION 1: ELECTRIC FIRE FITTING INSTRUCTIONS

The appliance can either be fixed to a flat vertical wall or inset – please refer to the instructions below. **All Curvascape III and Flamescape III variants**

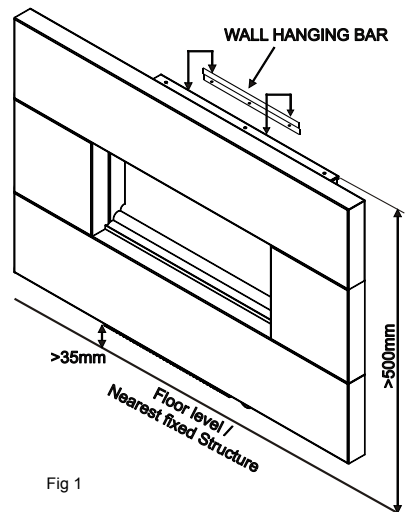
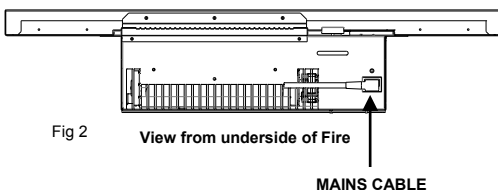
Warning Do not block any of the air vents located in the back or the front of the fire.

FLAT WALL FIXING

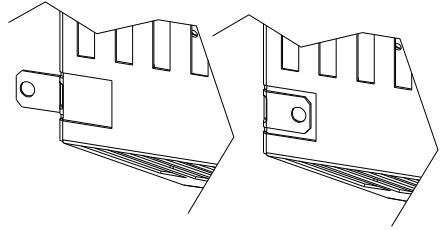
Wall fixing -The appliance should be securely fixed to the wall using wall plugs and screws suitable to fit the 5mm hole in the hanging bar.

Note – for studded walls special fasteners are required.

1. Position the wall fixing at the desired height: note that the bracket fixing centres must be at least 500 mm above the floor **Fig 1**
2. Mark the position of the hanging bar on the wall - ensure that it is parallel to the floor.
3. Mark fixing holes through hanger bar and drill holes to suit wall fixings and screws.
4. Fix hanger bar to wall using suitable fixings.
5. The main Chassis of the Fire is now ready to be fitted.
6. Connect the mains cord to the fire **Fig 2**



7. At the top of the fire is a hanging lip that is designed to fit over the upturned lip on the wall hanger; hang the fire onto this lip.
8. To fix the fire permanently to the wall there is a tab at the rear of the fire on the bottom right hand side (viewed from the front) shown in the diagram right that should be used. The tab should be unfolded out as shown in the diagram right and then used to insert the fixing the same as those used for the wall hanger bar.
9. The Fascia may now be fixed to the fire chassis – see fitting the fascia.



FULLY INSET FITTING:

To inset the fire an aperture must be cut into the wall of 440 wide by 500mm high.

NOTE: The wall aperture must be at least 125mm deep to ensure that the fire fits completely into the wall. NOTE: If a wall socket is fitted below or to the rear of the fire allow sufficient gap between the wall socket and the fire to ensure that the fire fits completely into the aperture.

If mounting into a brick or plaster wall ensure that the aperture is clean and free from dust.

Provision for a mains connection should be made at the bottom or the rear of the aperture – If the appliance is to be hard wired allow sufficient length of mains cable to enable removal of the appliance from the aperture with the cable attached. **NOTE: It is important to provide sufficient air to the cavity behind the appliance. The recommended minimum is 22,000 mm².**

1. Fix the mains cable to the underside of the appliance. **Fig2**
2. Slide the fire into the aperture **Fig 4**
3. Check to ensure that the appliance is level.
4. Mark through the fixing holes in the outer flange and then remove the fire from the wall aperture.
5. Drill the wall with a suitable sized drill and where necessary insert raw plugs.
6. Connect the appliance to the mains socket.
7. Slide the complete fire into the aperture.
8. Fix the fire to the pre drilled holes with suitable fixings.
9. Fit the Fascia

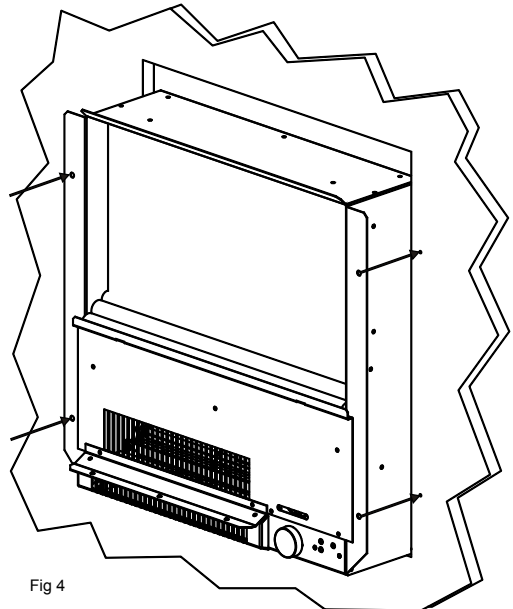


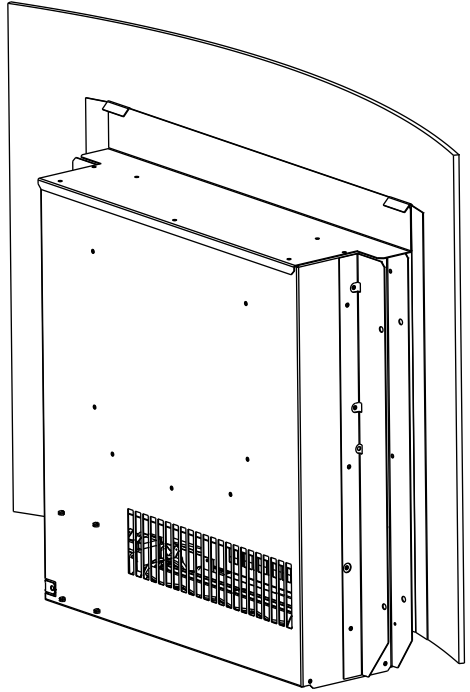
Fig 4

PARTIAL INSET FITTING:

To inset the fire an aperture must be cut into the wall of 440mm wide by 500mm high.

OTHER DETAILS AS FOR "FULLY INSET FITTING" EXCEPT: Fix the fire to the wall using the fixing holes in the partial inset bracket in lieu of the holes in the main chassis.

NOTE: It is important to provide sufficient air to the cavity behind the appliance. The recommended minimum is 22,000 mm²



FITTING THE FACIA

The Fascia may now be fitted to the fire chassis as follows.

1. At the rear of the fascia frame there is a large v shaped hook. Hook this over the fixing lip located on the fire back. **Fig 5**
2. Carefully lower the bottom edge of the fascia frame towards the fire back until the magnets connect the fascia frame to the fire back.
For Curvascape III models care should be taken when fitting the fascia so as not to damage the chrome trim or the fire fuel bed.
For Flamescape III models the glass panel fits to the fire in the same way as the metal panel of the Curvascape III.

Fit V shaped hook over fixing lip

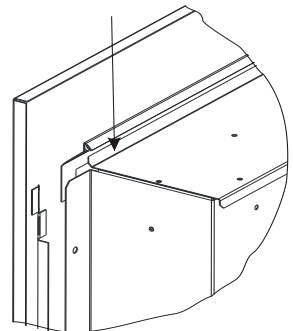
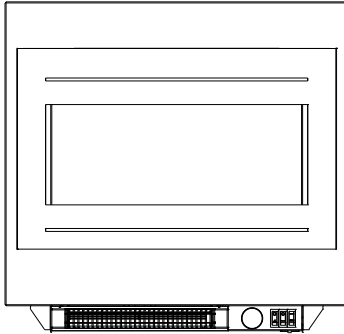


Fig 5

SECTION 2: ELECTRIC FIRE OPERATION

CURVASCAPE III AND FLAMESCAPE III MANUAL



Manual operation:

The three switches control the following:

Left hand switch - light effect only- (☀️ = ON; 0 = OFF)

Middle switch - 1kW Heat setting (I = ON 1kW; 0 = OFF)

Right hand switch - 2 kW Heat Setting. (I = ON 1kW; II = ON 2kW)

Round Control – Thermostat - Note numbers do not represent temperature in degrees.

Adjustment position indicated with marker - item A

The flame effect can be used without heat (if the thermostat is set to 0 then there will be no heat output regardless of switch settings).

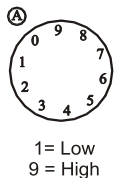
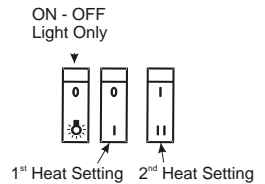
Thermostat:

The thermostat enables the room temperature to be controlled around a pre-set level and can be used when the either of the two heat switches are depressed. To set the thermostat, first set the control fully clockwise to position 9 then turn on the heating elements and heat the room to the desired temperature. When this temperature has been reached reduce the setting by turning the control anti-clockwise towards a lower figure until you hear the thermostat click off and the heat from the fan cease. When the room temperature drops the thermostat will turn the full heat from the fire back on again.

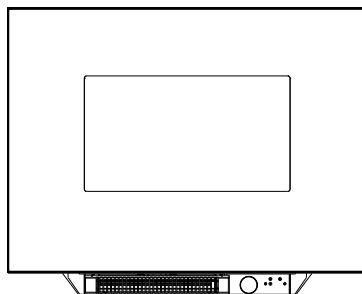
The thermostat control is designed to operate at room temperatures of 0°C – 40°C.

At very low temperatures (approx. 6° C) the thermostat will NOT turn the fire off.

THE MAIN HEAT OUTLET IS BELOW THE FIRE FRONT. DO NOT TOUCH OR PLACE ANY MATERIAL IN THIS AREA WHEN THE FIRE HAS RECENTLY BEEN IN USE OR WHILST TURNED ON.



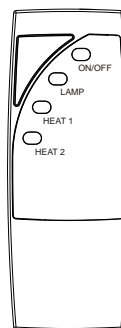
FLAMESCAPE III REMOTE CONTROL



Remote operation:

On first use insert the batteries into the remote control handset—see battery replacement section. With the mains supply connected to the fire and switched on the fire can be operated.

By pressing the ON/OFF button the operational features of the fire are enabled; if you then press the LAMP button the Flame effect will operate; if you then press the HEAT 1 button the 1kW heat setting will operate together with the Flame effect; if you then press the HEAT 2 button the 2kW heat setting will operate together with the flame effect. From here if you press a different button it will go back to that status - if you press the O/OFF button it will turn the fire off. Please note that it is possible to miss out steps once the operational features are enabled e.g. if you press the ON/OFF button then the HEAT2 button the fire will go straight to 2kW together with the flame effect.



NOTE: Each function is accompanied by an audible beep.

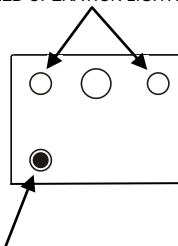
Manual over-ride operation:

If the Remote handset is mislaid or the batteries run out the fire can be operated manually by use of the membrane pad situated next to the thermostat. With the mains supply connected to the fire and switched on the fire can be operated.

By pressing the ON/OFF FUNCTION button the features of the fire can be used. This is a single touch button and when pressed sequences through the available functions.

NOTE: Each function is accompanied by an audible beep.

LED OPERATION LIGHTS



ON/OFF FUNCTION

LED display explanation:

Red LED on RHS of pad illuminated: Fire in standby mode. (not illuminated when other functions in use, fire is off or during manual operation).

LED on LHS of pad flashes Green 5 times then goes out: Flame effect on.

LED on LHS of pad flashes Red 5 times then goes out: Flame effect + 1kW on.

LED on LHS of pad flashes Red 5 times then goes out: Flame effect + 2kW on.

SECTION 3: MAINTENANCE AND CLEANING

DISCONNECT THE FIRE FROM THE SUPPLY BEFORE CLEANING OR CARRYING OUT ANY MAINTENANCE CLEANING

Warning: If the air inlet becomes covered with dust the fire may cut out. This is a safety feature. Refer to Safety Cut-out information for further action.

IMPORTANT NOTICE.

Your electric heater operates using a rotary fan. Due to the working nature of this fan it is inevitable that a build-up of LINT, or general house dust (i.e.) carpet fibres or animal fur etc. will from time to time accumulate around the inlet and outlet grills. Therefore it is recommended that regular cleaning of this area is undertaken using a standard vacuum cleaner attachment.

For safety reasons please ensure that the fire is switched off and has had time to cool down before cleaning.

GENERAL CLEANING

The fire should be cleaned with an antistatic cloth to prevent dust being attracted to the high gloss surfaces of the fire - do not use polish... For difficult to remove marks such as finger marks it is recommended that a chamois leather slightly damp is used.

DO NOT USE ABRASIVE MATERIALS.

Care should be taken when cleaning around metal parts, non-painted metal parts may have sharp edges.

Decorative parts

Under no circumstances use an abrasive cleaner on bright surfaces. Such use will cause permanent damage to the appearance of your fire.

It is important to use care in cleaning. Dusting or wiping with a damp cloth is recommended in order to preserve the finish.

Fuel Effect:

Clean with a vacuum cleaner attachment or a soft brush.

LIGHT AND FLAME EFFECTS

WARNING: TURN OFF APPLIANCE AT MAINS AND UNPLUG FROM SOCKET OR REMOVE FUSE FROM SWITCHED ISOLATOR BEFORE REPLACING LAMPS: LAMPS MAY BE HOT - ALLOW TO COOL BEFORE REMOVING.

Please refer to the product data label to identify your product:

Curvascape III

Effect lamp replacement.

To replace the lamps follow the instructions below.

1. Remove any loose pebbles from the fuel bed.
2. Remove the fire fascia trim as describe in section 1
3. Slide the fuel bed forward to clear the fire. (This will then give access to the two lamps)

4. To replace the lamps unscrew the lamps counter clockwise. (Ensure that the lamps are cool before removing). Always replace with the recommended wattage as indicated in the instructions, do not replace the lamps with a higher wattage.
5. Reverse the procedure to refit the fuel bed and front fascia.

Flamescape III

No maintenance is necessary on the flame effect, illumination is by LED's which should not require any attention for the life of the fire except for damage to the LED's or failure of the LED power supply — in this case the fire must be returned to Imperial fires for replacement.

Remote Handset Battery Replacement

To replace the batteries in the remote handset remove the battery compartment cover and remove the batteries. Replace the batteries with either rechargeable or non rechargeable batteries of type : AAA , MN2400, LR23, UM4 DO NOT MIX Rechargeable and Non rechargeable batteries.

Care

DO NOT drop - DO NOT immerse in liquids - DO NOT leave flat batteries in the unit - Clean only with a dry cloth.

As this product operates using infra-red, ensure there is a clear line of sight between the handset and the appliance for it to operate effectively.

To avoid risk of explosion, never throw batteries into a fire or expose batteries to any strong heat sources.

DO NOT SWALLOW. If a battery is swallowed you should seek immediate medical attention.

DO NOT dispose of this battery in your normal household waste; once the battery has reached the end of it's life it should be taken to a recycling centre.

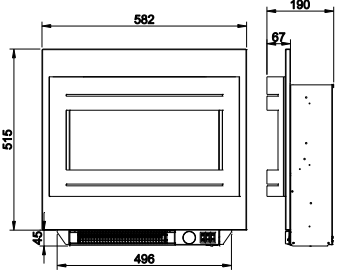
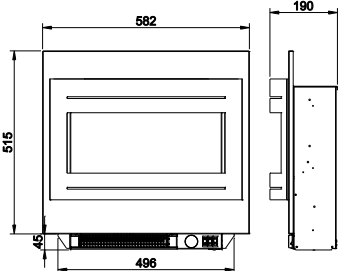
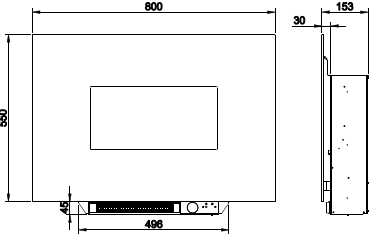
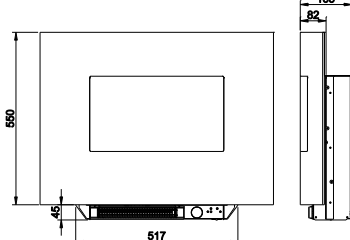
Please contact your local authority for details of recycling schemes in your area.

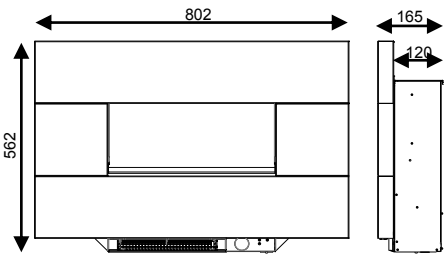
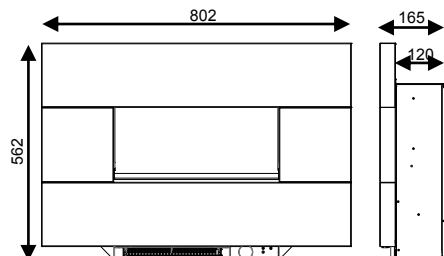
SECTION 4: IMPORTANT INFORMATION

SAFETY CUT- OUT

The heating element is fitted with a cut-out which will switch off the fire if it overheats. Should this occur follow the points below.

1. Switch the fire off at the wall outlet.
2. Ensure that there are no obstructions in or around the air inlet see Fig 1
3. After approximately 5 minutes switch the fire on. (The thermal cut-out will take approximately 5 minutes to reset once activated - do not switch the fire on until the above checks have been completed.
4. If the fault persists contact your retailer or Imperial Fires Customer Service on the telephone numbers provided at the beginning of these instructions.

Dimensions	OVERALL DIMENSIONS			
	Height mm	Width mm	Depth mm	
Curvascape III Inset Stainless Trim	560	582	67	
Flamescape III Inset Flat Glass Trim	595	800	30	
Curvascape III Wall mounted Stainless Trim	560	582	190	
Flamescape III Wall Mounted Flat Glass Trim	595	800	153	
Flamescape III Partial Inset Curved Glass Trim	595	744	82	

	Height mm	Width mm	Depth mm	
Biarritz Inset Stone effect Trim	562	802	165	
Biarritz Wall Mounted Stone effect Trim	562	802	165	

SHORT PARTS LIST

Short Parts List Item	Part Number	Quantity per Fire
Light Lamp 25w Max SES - Clear	I00456	2 / 1
Remote Control Kit	I00942	1
Remote Control Battery AAA or equivalent	I00572	1 pack of 2
Mains Cord UK Plug MAINS CORD: If the mains supply cord is damaged it must be replaced by a competent electrician or similarly qualified person.	I00467	1

TECHNICAL SPECIFICATION

Frequency	50Hz	
Voltage	220 ~240v A.C.	
Power Input	2038 w	
Remote Control	Infra Red Control: Maximum range 5 metres.	

DISPOSAL INFORMATION



The Symbol shown here and on the product means that the product is classed as Electrical or Electronic Equipment and should not be disposed of with other household or commercial waste at the end of its working life. The Waste of Electrical and Electronic Equipment (WEEE) Directive (2002/96/EC) has been put in place to recycle products using best available recovery and recycling techniques to minimise the impact on the environment, treat any hazardous substances and avoid the increasing landfill.

Product Disposal Instructions: When you have no further use for it, please remove any batteries and dispose of them and the product as per your local authorities recycling processes. For more information please contact your local authority or the retailer where the product was purchased.

Product Disposal Instructions for Business users: This product should not be mixed with other commercial waste for disposal.



GUARANTEE

This product is guaranteed against faulty parts or workmanship for 12 months from the date of purchase.

To validate the guarantee the product must be returned to the retailer or supplier for repair or replacement with this sheet completed with the detail requested. (Please do not send a photocopy).

Imperial Fires Limited are not responsible for any cost incurred by the customer in returning the product to the seller.

When making a claim under warranty you must provide the above details requested your warranty might be invalid. Return this information to your dealer or contact Imperial Fires Limited.

Imperial Fires Limited reserves the right to refuse warranty for any product returned that does not have valid proof of date of purchase:

Please return your original sales invoice with any returned product.

This guarantee does not affect your statutory rights.

Date of Purchase

Enclosed original sales invoice.	
<input type="checkbox"/> YES	<input type="checkbox"/> NO

Retailer name and address

Your name and address



<p style="text-align: center;">Affix Second Data Label HERE</p>
--

Imperial Fires Ltd
Saxon Business Park,
Stoke Prior, Bromsgrove,
Worcestershire B60 4AD UK
Telephone: +44(0)1527 577800
Web: imperial-fires.co.uk
Email: sales@widney-leisure.co.uk