



IMPERIAL FIRES

CAST 1 / 2

INSTRUCTIONS

IMPERIAL FIRES LTD.

SAXON BUSINESS PARK
HANBURY ROAD
STOKE PRIOR
BROMSGROVE B60 4AD

TELEPHONE : +44(0)1527 556700

FAX : +44(0)1527 577900

E-mail : sales@imperial-fires.co.uk

IMPERIAL FIRES LTD.

BROMSGROVE, ENGLAND. B60 4AD.

TELEPHONE: 01527 556700

PLEASE READ THESE INSTRUCTIONS CAREFULLY AND RETAIN FOR FUTURE USE

Your **IMPERIAL** electric fire has been made with great care. Here are some instructions for cleaning and maintenance, which will help you to keep your fire in good condition for many years. If you experience any parts or service problems, contact either your retailer or **IMPERIAL FIRES LTD.**

WARNING:

- ***THIS APPLIANCE MUST BE EARTHED***
- ***DO NOT COVER OR HANG CLOTHES, TOWELS Etc. OVER OR NEAR THE HEATER AS THIS COULD CAUSE OVER HEATING AND POSSIBLE DAMAGE!***
- ***THE GUARD USED ON THIS APPLIANCE CONFORMS TO BS1495: 1991 AND SATISFIES THE HEATING APPLIANCES (FIREGUARDS) (SAFETY) REGULATIONS 1991.***
- ***THE GUARD IS TO PREVENT RISK OF FIRE OR INJURY FROM BURNS AND SHOULD NOT BE PERMANENTLY REMOVED. IT DOES NOT GIVE FULL PROTECTION FOR YOUNG CHILDREN OR THE INFIRM.***
- ***THIS APPLIANCE MUST NOT BE LOCATED BELOW A SOCKET OUTLET***
- ***DO NOT USE THIS HEATER WITH A THERMAL CONTROL, PROGRAMME CONTROLLER, TIMER OR ANY OTHER DEVICE WHICH SWITCHES THE HEATER ON AUTOMATICALLY, SINCE A FIRE RISK EXISTS IF THE HEATER IS COVERED OR DISPLACED.***
- ***DO NOT USE THIS HEATER IN THE IMMEDIATE SURROUNDINGS OF A BATH, SHOWER OR A SWIMMING POOL.***
- ***THIS APPLIANCE IS NOT INTENDED FOR USE BY YOUNG CHILDREN OR INFIRM PERSONS UNLESS THEY ARE ADEQUATELY SUPERVISED BY A RESPONSIBLE PERSON TO ENSURE THAT THEY CAN USE THE APPLIANCE SAFELY.***
- ***THE APPLIANCE SHOULD NOT BE TAMPERED WITH.***
- ***YOUNG CHILDREN SHOULD BE SUPERVISED TO ENSURE THAT THEY DO NOT PLAY WITH THE APPLIANCE.***

GUARANTEE

The product is guaranteed against faulty parts or workmanship for 12 months from the date of purchase – please retain your proof of purchase slip. Elements and bulbs are considered to be consumable items.

USER'S INSTRUCTIONS

Before connecting the fire check that the supply voltage is the same as that stated on the fire. This appliance must only be used on AC supply. Fuse rating 13 amps.

This appliance must be positioned so that the plug is accessible. If the supply cord of the appliance is damaged it must be replaced by a competent electrician or similarly qualified person.

The appliance must be connected to a fused isolating switch if it is to be installed as a fixed appliance.

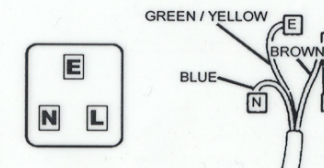
ELECTRICAL CONNECTIONS - UNITED KINGDOM ONLY

This appliance must only be connected to 230 / 240 V. a.c. 50Hz Supply.

WARNING THIS APPLIANCE MUST BE EARTHED

Green & Yellow - Earth
Blue - Neutral
Brown - Live

As the colours of the wires in the mains lead of this appliance may not correspond with the coloured markings identifying the terminals in your plug, proceed as follows:



The wire that is coloured green & yellow must be connected to the terminal in the plug which is marked with the letter E or by the earth symbol or coloured green & yellow.

The wire that is coloured blue must be connected to the terminal that is marked with the letter N, or coloured black.

The wire that is coloured brown must be connected to the terminal that is marked with the letter L, or coloured red.

If the terminals of the plug are unmarked, consult a qualified electrician. Two pin plugs must not be used. **FOR FUSED PLUGS USE A 13 AMP FUSE.**

ITEM NO.	DESCRIPTION	QUANTITY
A	LH Infill Plate	1
A1	LH Infill Plate Angle	1
B	RH Infill Plate	1
B1	RH Infill Plate Angle	1
C	Canopy Fixing Plate	1
	Screws	10

POSITION

This appliance should be positioned on a firm level surface. We do not recommend its use on rugs or carpets. If the fire is to be positioned in a fire surround, the customer should establish the suitability of the surround for use with an electric fire.

CLEANING & MAINTENANCE

- **BEFORE ANYTHING, DISCONNECT THE PLUG FROM THE WALL SOCKET.**

SCREEN CLEANING

The nature of the screen material can cause static, it is very important that any cleaning preparation used on the front screen (in front of the flame effect) contains anti - static properties.

BRASS & OTHER DECORATIVE PARTS

- **Under no circumstances use an abrasive cleaner on brass, "silver" (polished aluminium) and gold finishes. Such use will cause permanent damage to the appearance of your fire.**

All brass (and polished aluminium) has been lacquered to prevent tarnishing and maintain a lustre appearance. It is important to use care in cleaning. Dusting or wiping with a damp cloth is recommended in order to preserve the lacquered finish. If a lacquered surface does eventually wear thin (possibly due to vigorous cleaning over a long period), then tarnished surfaces may occur. In such cases, the lacquer can be completely removed using a cellulose lacquer remover. The brass can then be cleaned in the normal manner and, if desired, re lacquered using either a "brush on" or aerosol cellulose lacquer.

The manufacturer will be pleased to quote for re-polishing and lacquering.

FITTING THE FIRE TO THE FIREPLACE

1. Position the fire in the fireplace by tilting the fire backwards (to fit under the canopy) then sliding the base backwards until the infill plates are level with the side of the fireplace (See Fig. 4.) (It may not be possible to position the Fire Fret directly against the fireplace with some installations – please contact you dealer for advice)
2. Adjust the infill plates to the sides of the fireplace. (See Fig. 4)
3. Tighten all screws
4. Refit the Fuel Effect

PLEASE NOTE

*When using the fan heater you **MUST** remove the ashpan and any other objects that may interfere with the heater. Failure to do this will result in the fire cutting out.*

Fig 3

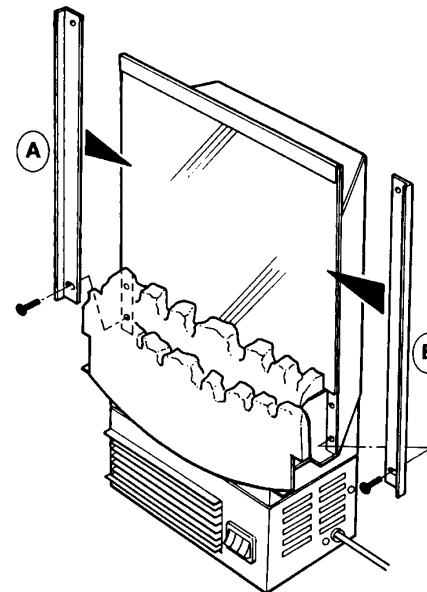
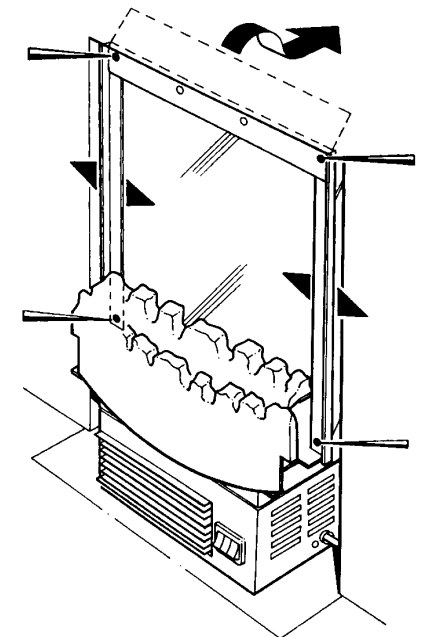
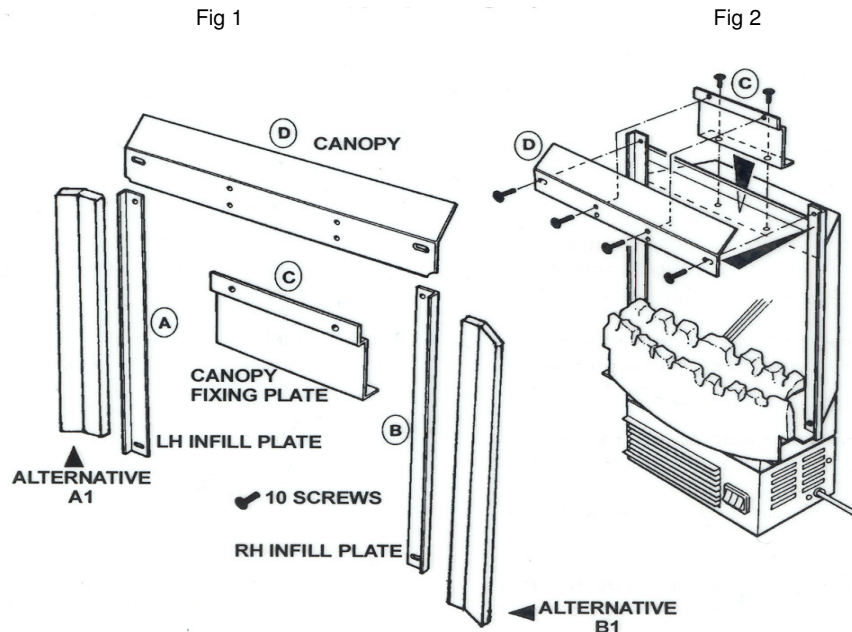


Fig 4



ASSEMBLY OF INSTALLATION KIT

1. Check that all components shown in Fig. 1 are present
2. Remove the Fuel Effect from the front of the fire by releasing the two screws towards the rear of the fuel effect (see Fig. 2.)
3. Attach item C to the fire using two of the fixing screws provided (See Fig. 2.)
4. To ensure optimum fitting into the fireplace decide which side plates are the most suitable for the installation. PLATE A & B are suitable for standard width fireplaces PLATE A1 & B1 are suitable for wider fire places
5. Attach side plates A & B (or A1 & B1) to the fire by inserting two screws through the side flanges into the fixing holes at the bottom of the fire. (See Fig. 3.)
6. Attach the Canopy "D" to plate C and with the remaining screws fix RH and LH Infill Plates to the canopy. (See Fig. 2.)



FUEL EFFECTS

Coal and log effects can be vacuumed to remove dust, they may also be washed from time to time in warm soapy water. **DO NOT** replace on the fire until they are completely dry.

All inset fires are supplied with a bag of real coal which should be placed on the moulded coal effect to provide a realistic open fire look.

OPERATION FIREFLAME FIRES

HEAT FLAME CONTROL

The 3 pole switch on the fan heater provides 1000 and 2000 W of fan heat. To run the flame effect only, depress the first switch on the left. The fret and ashpan cover can be left in place during flame effect use only. Depress the left and middle switches for 1000W of heat, depress all 3 switches for 2000W of heat

- **The ashpan cover at the bottom of the fret MUST be removed when the fan is used for heating.**

CHANGING BULBS

Remove the ashpan cover and grate. Remove any loose coal from fuel effect. Remove the two screws from the rear coal effect. Lift the fuel effect clear of the fire this will then give access to the two 40w (MAX) 230/240v clear candle lamps.

INSTALLATION INSTRUCTIONS

- **ENSURE THAT THE POWER SUPPLY TO THE FIRE IS SWITCHED OFF.**
- Do not tighten any fixing screws until the fire is installed in the fireplace.
- The fire is adjustable to two height settings, in order to reduce any gaps that may be seen at the top of the fire when installed.
- Before fitting any components decide which height setting is required and fit components accordingly.